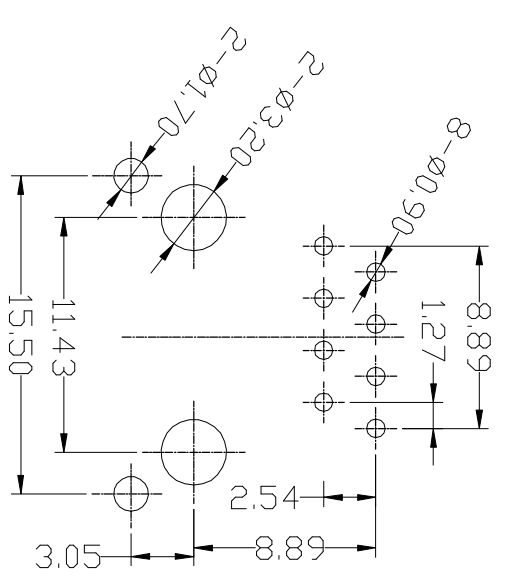
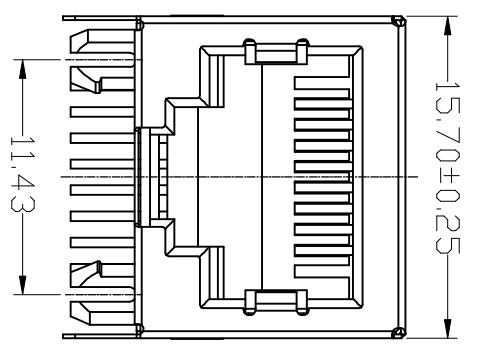
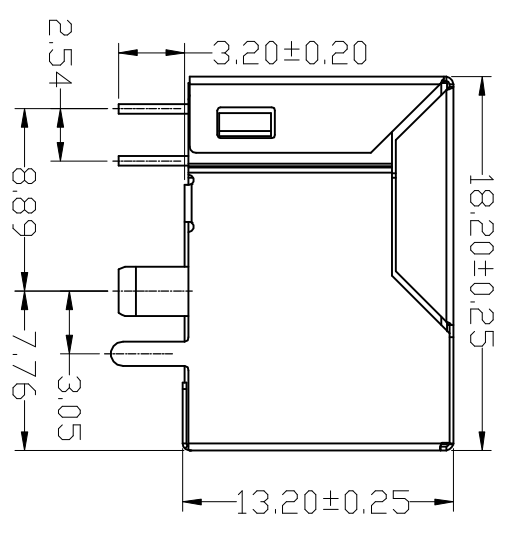
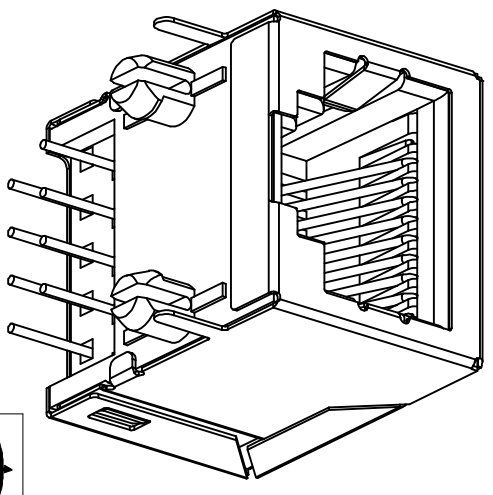
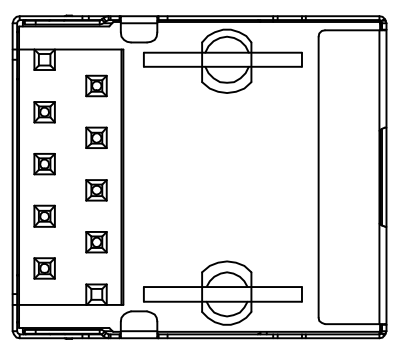


| | | |
|-----------|-------------------------------|-----------------|
| CATEGORY | DESCRIPTION | P/N # |
| CONNECTOR | R445 1x1 PORT 10P8C Connector | MJ5608-XX11-RF1 |

| | | | | |
|------|--------|-------------|---------|------------|
| REV. | ECN NO | DESCRIPTION | REVISED | DATE |
| A01 | | New Release | KELLY | 2010.06.15 |



PC Board Layout



NOTES:

MATERIAL:

- 1.HOUSING MATERIAL:GLASS FILLED POLYESTER(U.L94V-0).
- 2.CONTACT MATERIAL:PHOSPHOR BRONZE Ø0.46mm (C5100).
- 3.PLATING:GOLD PLATING OVER NICKEL.
- 4.SHIELD: COPPER ALLOY 0.20mm THICKNESS PLATING NI.

ELECTRICAL:

- 1.VOLTAGE RATING:25 VAC RMS.
- 2.CURRENT RATING:1.5 AMP.
- 3.CONTACT RESISTANCE:50 MILLIOHMS MAX.
- 4.INSULATION RESISTANCE:500 MEGOHMS MIN @ 500V DC.
- 5.DIELECTRIC WITHSTANDING MECHANICAL RESISTANCE :1000V AC RMS 50HZ, 1MIN.

1.DURABILITY:750 CYCLES MIN.

2.PCB RETENTION PRE-SOLDER:1 LB MIN.

ENVIRONMENTAL:

2. OPERATION : -40°C TO +85°C.

MATES WITH MODULAR PLUG CONFORMING TO

FCC PART 68,SUBPART F.

Table 1

| | |
|---|---------------|
| X | 塑胶颜色区分 |
| B | BLACK |
| Y | YELLOW |
| T | BRIGHT YELLOW |
| U | BLUE |

Table 2

| Material & Plating | |
|--------------------|------------------|
| X | Terminal Plating |
| 0 | Au 1u" Plating |
| 1 | Au 3u" Plating |
| 2 | Au 6u" Plating |
| 3 | Au 15u" Plating |
| 4 | Au 30u" Plating |

东莞市合陵电子有限公司
DongGuan Heling Electronic Co.,LTD

| | | |
|-----------|-------------|---------|
| SCALE:1/1 | UNIT: mm | DWG.NO: |
| SIZE: A3 | PAGE:1 OF 1 | REV:A01 |

| | | | | | |
|---------------------------------------|-------------|-----------|-------------|------------|-------------|
| UNLESS OTHERWISE SPECIFIED TOLERANCES | DECIMALS: | ANGLES: | APPROVED BY | CHECKED BY | PREPARED BY |
| | X : ±0.5 | X : ±2° | TONY | BILL | KELLY |
| | X.X : ±0.3 | X.X : ±1° | | | |
| | X.XX : ±0.2 | | | | |

CUSTOMER COPY