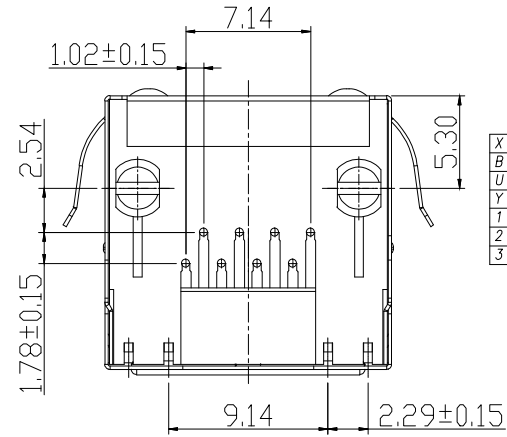
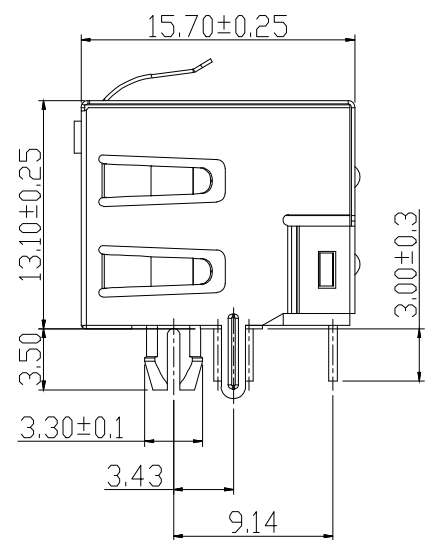
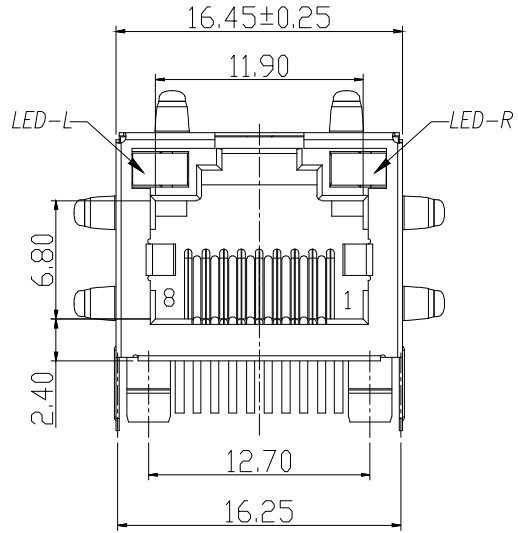


|           |                |                   |
|-----------|----------------|-------------------|
| CATEGORY  | DESCRIPTION    | P/N #             |
| CONNECTOR | RJ45 8P8C 指示灯壳 | MJ5688-XX11-GRSLX |

变更料号由原 MJ5688-BX11-GRSLX  
 变更为 MJ5688-XX11-GRSLX

| REV. | ECN NO | DESCRIPTION  | REVISED | DATE       |
|------|--------|--------------|---------|------------|
| A04  |        | 新增LED 240欧电阻 | SIMON   | 2016.11.25 |
| B01  |        | 新增LED 双色灯    | SIMON   | 2016.11.30 |
| A05  |        | 新增塑胶材质       | XSY     | 2017.07.31 |



MJ5688-XX11-GRSLX

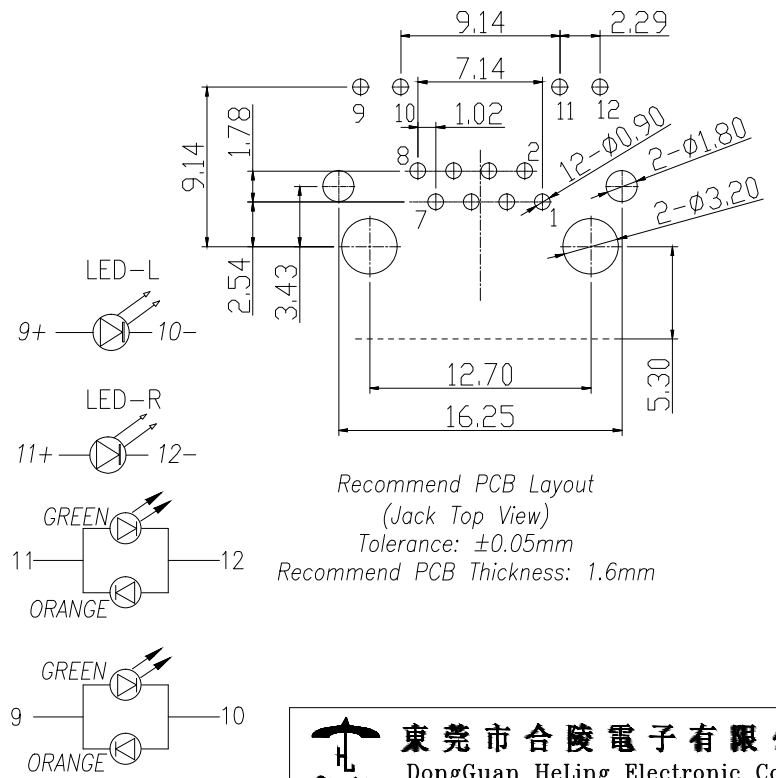
| X | Housing Color | Housing Material |
|---|---------------|------------------|
| B | Black         |                  |
| U | Blue          | PBT UL94V-0      |
| Y | Yellow        |                  |
| 1 | Black         | PA9T UL94V-0     |
| 2 | Blue          |                  |
| 3 | Yellow        |                  |

| X | LED-L    | LED-R    |
|---|----------|----------|
| 1 | G        | Y        |
| 2 | Y        | G        |
| 3 | Y 240欧电阻 | G 240欧电阻 |
| A | G        | G/O      |
| B | G/O      | G/O      |

| X | Terminal Plating |
|---|------------------|
| 0 | G/F Plating      |
| 1 | Au 3u" Plating   |
| 2 | Au 6u" Plating   |
| 3 | Au 15u" Plating  |

SPECIFICATION

- VOLTAGE RATING: 150 VAC RMS.
- CURRENT RATING: 1.5 AMP
- CONTACT RESISTANCE: 40 mΩ MAX
- INSULATION RESISTANCE: 500MΩ MIN.
- WITHSTAND VOLTAGE: AC1000V RMS 60s.
- OPERATING TEMPERATURE: -40°C~+80°C



| e   | LED-R     | 1    | SEE TABLE 1             | Tin PALTING     |        |
|-----|-----------|------|-------------------------|-----------------|--------|
| d   | LED-L     | 1    | SEE TABLE 1             | SEE TABLE 2     |        |
| c   | SHELL     | 1    | BRASS T=0.2mm           | Ni PALTING      |        |
| b   | TERMINAL  | 8    | PHOSPHOR BRONZE Ø0.46mm | SEE TABLE 2     |        |
| a   | HOUSING   | 1    | SEE TABLE 3 UL94V-0     | SEE TABLE 3     |        |
| NO. | PART NAME | Q'TY | MATERIAL                | PLATING & COLOR | Remark |

|   |                               |                     |                   |                    |
|---|-------------------------------|---------------------|-------------------|--------------------|
| UNLESS OTHERWISE SPECIFIED TOLERANCES           | SCALE: 1/1                    | UNIT: mm            | DWG.NO:           |                    |
|   | SIZE: A3                      | PAGE: 1 OF 1        | REV: A05          |                    |
| DECIMALS:<br>X :±0.5<br>X.X :±0.3<br>X.XX :±0.2 | ANGLES:<br>X :±2°<br>X.X :±1° | APPROVED BY<br>DICK | CHECKED BY<br>XSY | PREPARED BY<br>XSY |
| CUSTOMER COPY                                   |                               |                     |                   |                    |

 东莞市合陵电子有限公司  
 DongGuan Heling Electronic Co.,LTD