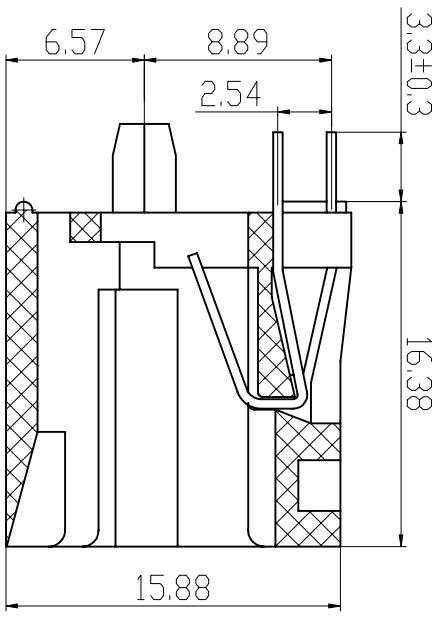
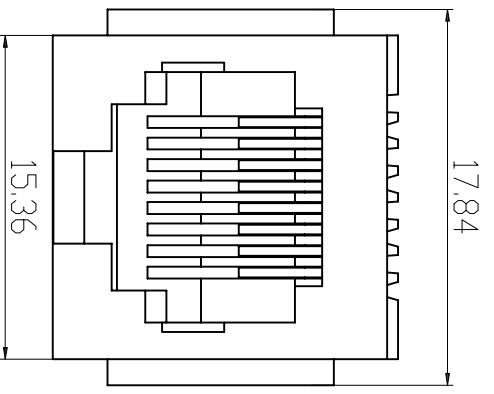


CATEGORY	DESCRIPTION	P/N #
CONNECTOR	Modular Jack, 8P8C, 1x1PORT	MJ522288E-BX11-PN1-L

REV.	ECN NO	DESCRIPTION	REVISED	DATE
A01	—	New Release	GMC	2008.03.22



- SPECIFICATIONS:
1. Voltage: 150V AC RMS
 2. Current Rating: 1.5A
 3. Contact Resistance: 30mΩ MAX.
 4. Insulation Resistance: 500MΩ MIN.
 5. Dielectric Withstand Voltage :1000V AC
 6. Operate Temperature: -40°C~80°C
 7. Durability: 500 Mating Cycles MIN.

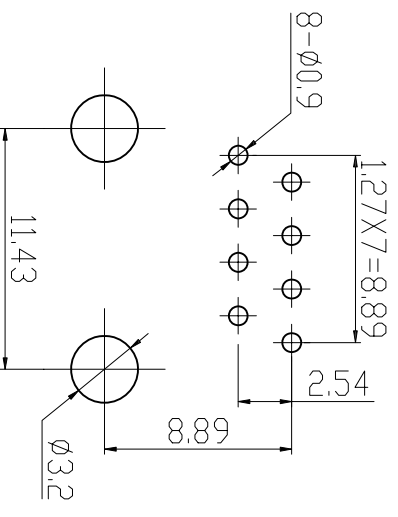
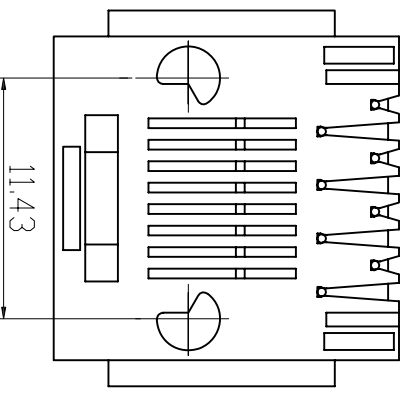


Table 1

	Material & Plating
0	X Terminal Plating
1	Au 1u" Plating
2	Au 3u" Plating
3	Au 6u" Plating
4	Au 15u" Plating
5	Au 30u" Plating
6	Au 50u" Plating

PC Board Layout

Product Drawing
Dongguan Hejing Electronic Co.,LTD

SCALE: 1/1	UNIT: mm	DWG.NO:	WI-061-751
SIZE: A3	PAGE: 1 OF 1	REV: A01	
APPROVED BY	CHECKED BY	PREPARED BY	
TONY	WZ	WZ	

b	Terminal	8	Phosphor Bronze	Gold Flash	
a	Housing	1	PBT UL94V-0	See Color Scheme	
NO.	PART NAME	Q'TY	MATERIAL	PLATING & COLOR	Remark

UNLESS OTHERWISE SPECIFIED TOLERANCES	
DECIMALS:	ANGLES:
X :±0.5	X :±2°
XX :±0.3	XX :±1°
XXX :±0.2	

CUSTOMER COPY

Part No.: MJ522288E-BX11-PN1-L

Material & Plating

